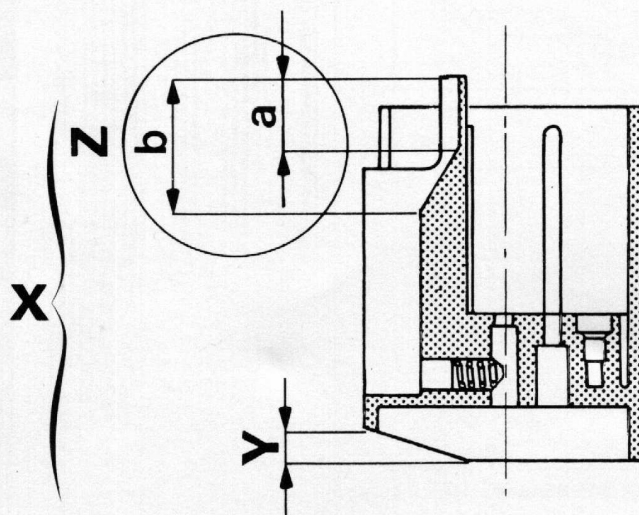


# THROTTLE SLIDES FOR PHF AND PHM CARBURETTORS

Throttle slides for PHF carburetors have the part-number 8553 x 64 produced in different sizes (X) – 401-402-501-503-601-602-603-604-701-702.

Throttle slides for PHM carburetors have the part-number 8639 x 64 produced in different sizes (X) – 401-501-503-601-603-605-701.

These sizes are marked 40/1, 40/2, etc. on the lower part of the throttle valve castings.



As you can see from the figure, the size value, 501, 601, etc., of these slides is formed by two elements Y and Z.

Y represents the cutaway size and Z in a symbol which is similar for both PHF and PHM slides and which determines the position and the variation of the pump operating cam.

The values of Z are:

z values	a	b
1	10	20
2	13	23
3	2	30
4	13	26
5	2	20

A throttle slide 8553.602.64 is therefore for a PHF carburettor and has a 60 cutaway (60 mm) and with a pump control cam with the start of operation at 13 mm (dimension a) and the end of the pump action at 23 mm (dimension b).